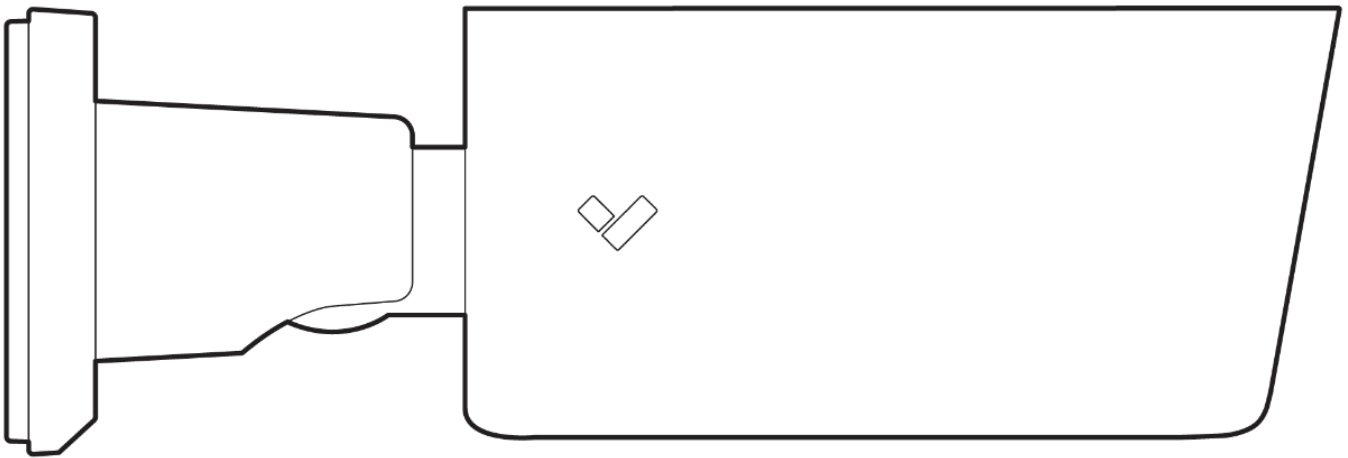


Install Guide

CB52 CB62 Outdoor Bullet Camera



Document

Document Details

VI.5 (20230711)

(VI.0 first published 20220531)

Firmware

Firmware version can be verified on
Verkada Command command.verkada.com.

Accessories

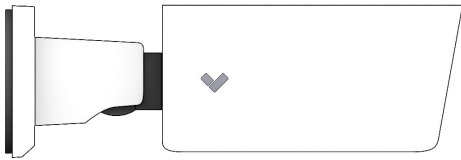
For a list of compatible accessories, please visit:
<https://docs.verkada.com/docs/accessories-overview.pdf>

Product Models

This install guide pertains to models CB52-E, CB52-TE, CB62-E,
CB62-TE.



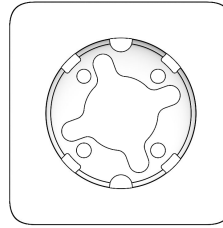
What's in the box



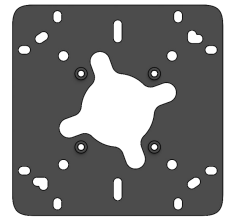
CD52/CB62 Outdoor Camera



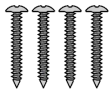
Mount plate
(Attached to camera)



Junction box
adapter cover



Junction box
adapter mount plate



4 4x30, Phillips truss head,
self-tapping wood screws
Length: 30mm, Width: 9.4mm



4 M4x8, Phillips pan
head machine screw
Length: 8mm, Width: 7mm



T25 Hand tool

What you'll need

- A working internet connection.
- 802.3af Power over Ethernet (PoE) switch, or a PoE injector. For operation below -20°C , use 802.3at PoE.
- A smartphone or laptop
- A #2 Phillips screwdriver or power drill with a #2 Phillips driver bit
- 1/4 inch (6.5mm) drill bit for wall anchors
- 1/8 inch (3mm) drill bit for pilot holes
- 1" hole saw for cable sealing assembly pass through
- A bare Cat5 or Cat6 Ethernet cable with a 0.2-0.25 inch outside diameter (5.5-6.4mm), **non-booted or jacketed**.

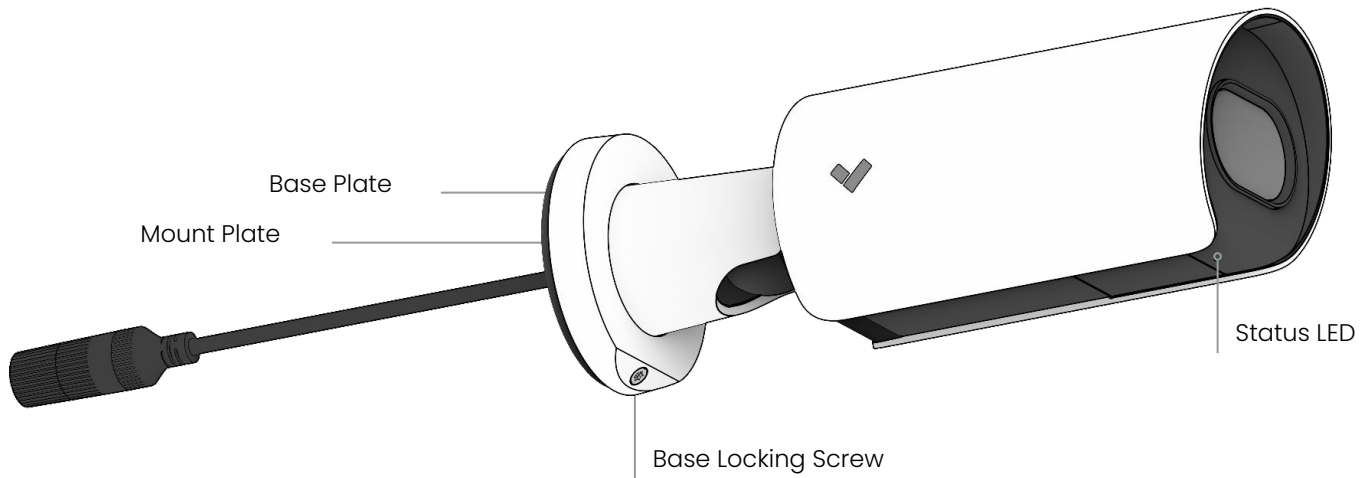
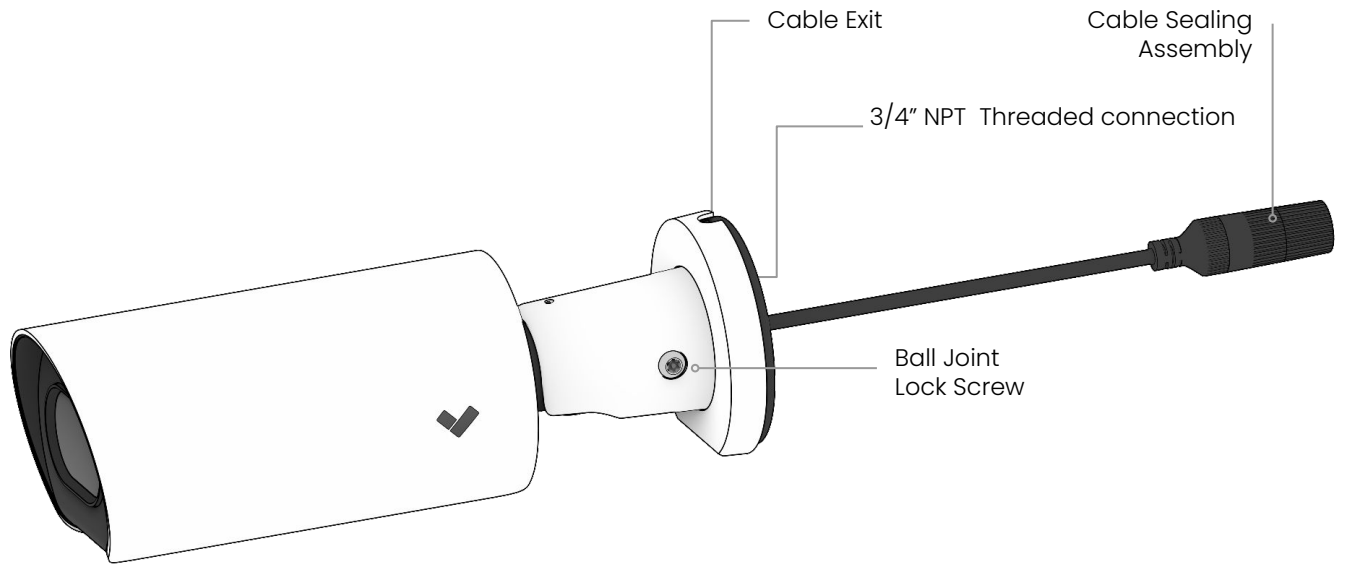
Connect

For easy registration and setup, scan the QR code on the product.

If you prefer to manually register your product, please proceed to: verkada.com/start



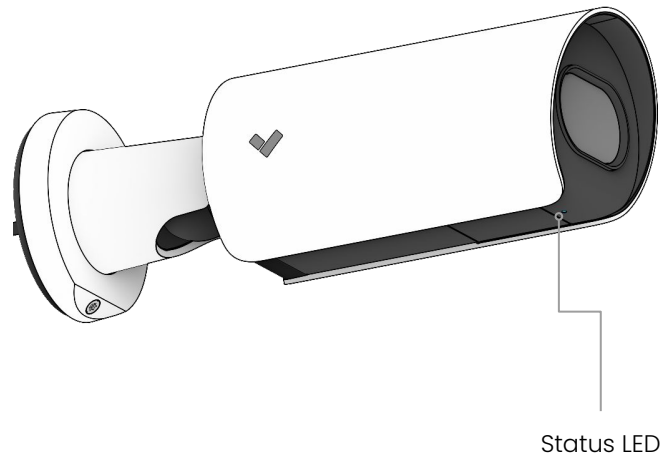
Overview



LED Behaviors

Regular operation

- **Solid Orange**
Camera is on and booting up.
- ☀️ **Flashing Orange**
Camera is updating firmware.
- **Solid Blue**
Camera is running, connected, and recording data.
- ☀️ **Flashing Blue**
Generic network error. Contact support.



Network errors

The LED will flash in a specific order, depending on the error state. You will see 1 blue flash, followed by a number of orange flashes.

1 Blue, 1 Orange

Camera is connected with PoE, but unable to connect to the Switch.

1 Blue, 2 Orange

Camera has not received an IP address.

1 Blue, 3 Orange

Camera is not able reach the configured Gateway.

1 Blue, 4 Orange

Camera has detected duplicate IP addresses on the LAN.



Example of **1 Blue, 5 Orange** flash sequence

1 Blue, 5 Orange

Camera is not able to resolve Verkada hostnames.

1 Blue, 6 Orange

Camera is not able to receive a response from the NTP Server.

1 Blue, 7 Orange

Camera is not able to certify the SSL connection, likely due to SSL inspection.

1 Blue, 8 Orange

Verkada endpoints are not reachable after boot up.

Installation

Connect

To unlock the Mount Plate from the Base Plate, loosen the Base Locking Screw using the provided T25 hand tool.

The screw should be backed out approximately .2" (5mm) from the Base Plate. Do not fully remove the screw.

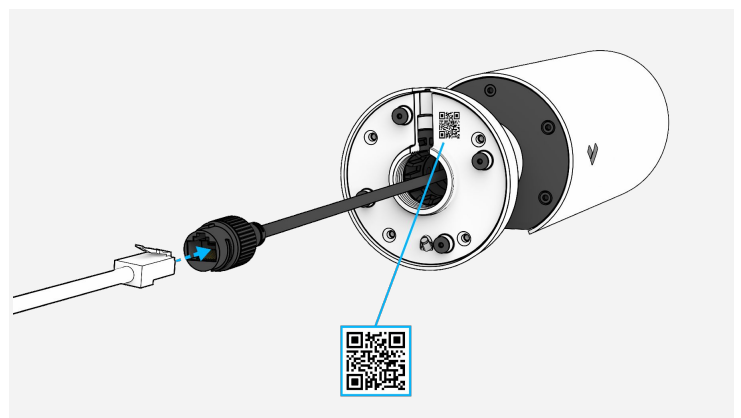
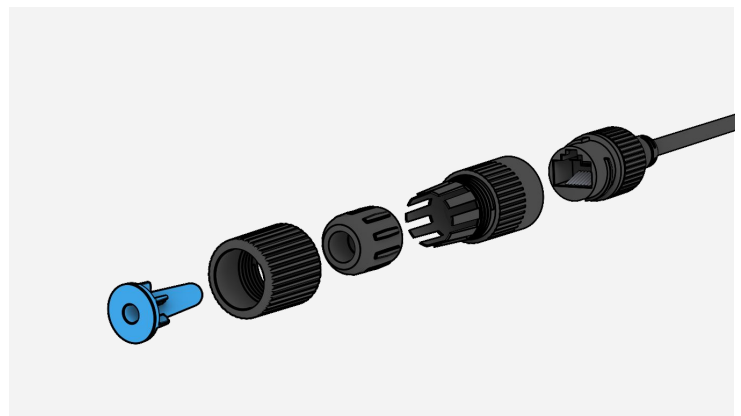
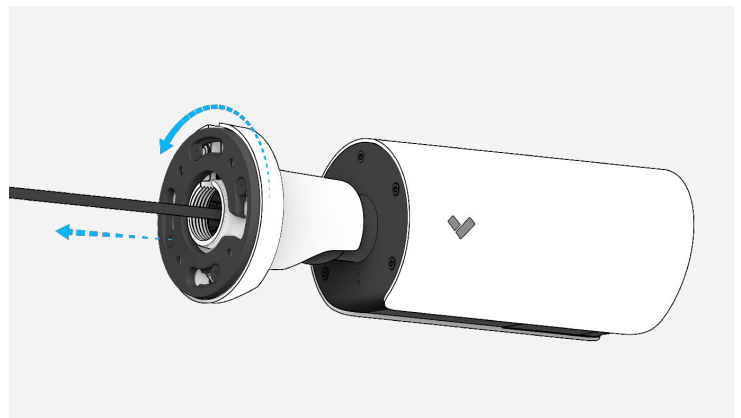
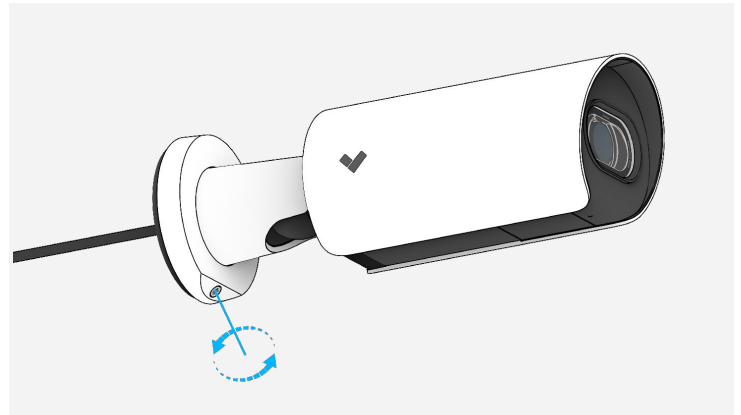
To remove the Mount Plate from the Base Plate, twist the Mount Plate counter clockwise then pull the Mount Plate off of the underside of the Base Plate.

Disassemble the cable sealing assembly. Dispose of the blue protective insert. Ensure that the rubber seal is fully removed from the body.

Please note:

Keep body, rubber seal, and cap on hand for later reassembly.

Insert the Ethernet cable into Ethernet port. Scan the QR code for easy camera registration and setup, or proceed to verkada.com/start.



Installation

Grounding

In order to attach the ground cable to the camera, perform the following:

Align a 20 AWG or larger ground cable with a ring terminal as shown in diagram.

Drive an M4-0.7 x 6mm screw (not included) through the terminal and into the threaded grounding point on the back of the device.

Attach the other terminal of the ground cable directly to a circuit breaker, ground rod or earth ground.

This unit is powered by PoE through a UL Listed ITE.

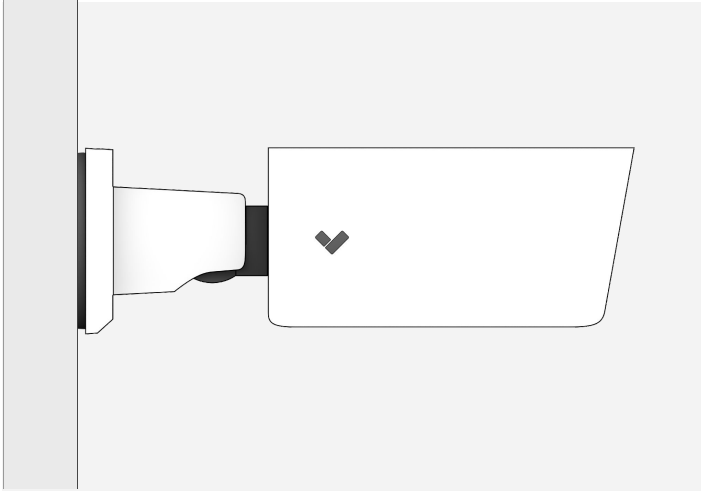


Installation

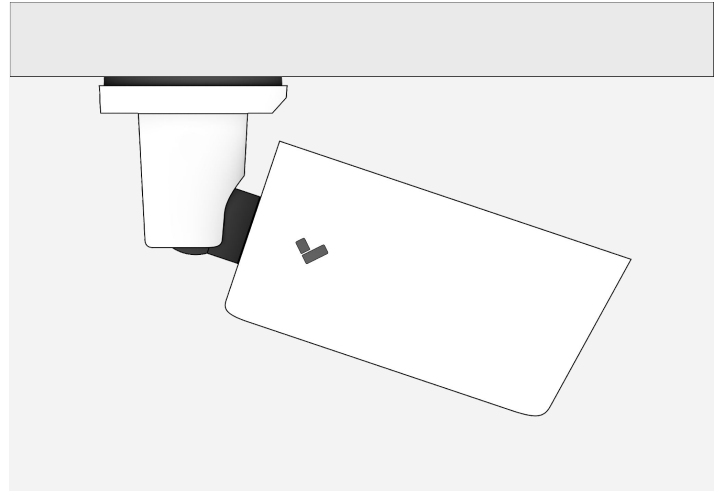
Mounting 1/2

Mount the camera on wall or ceiling. Keep the camera 8-10 feet above the ground.

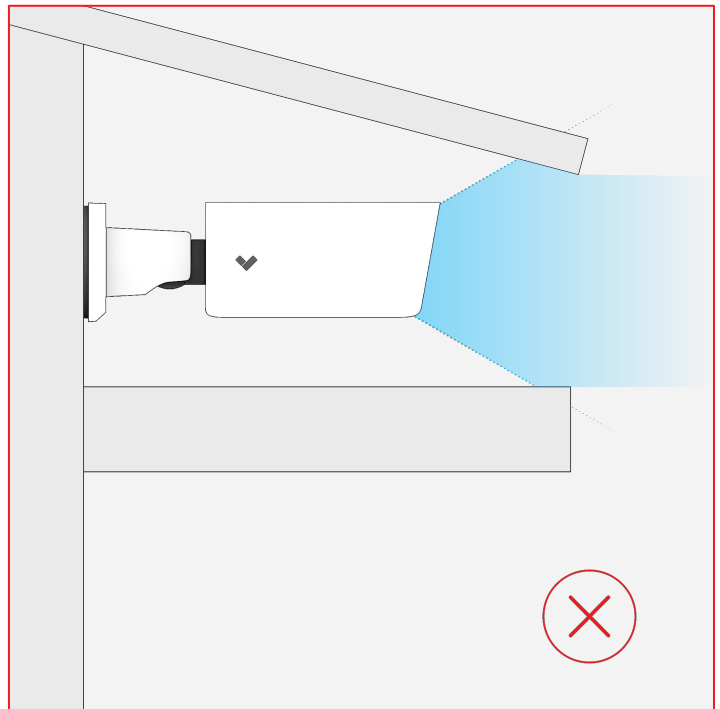
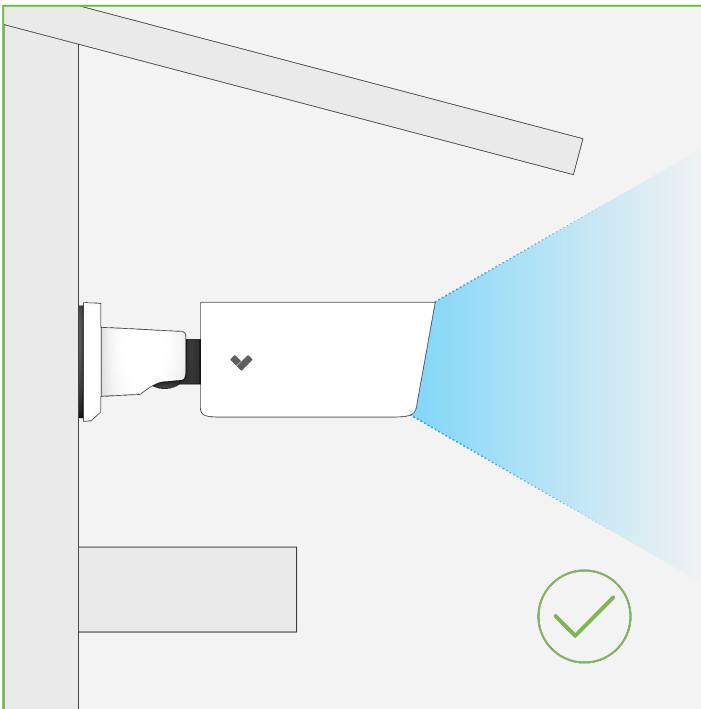
Wall Mounting Position



Ceiling Mounting Position



For best night vision, avoid overhangs or obstructions. These may reflect the camera's IR illumination and reduce the image clarity in night mode.



Please note: If you are mounting the camera using ACC-MNT-11, please see *Mounting on Verkada ACC-MNT-11* section.



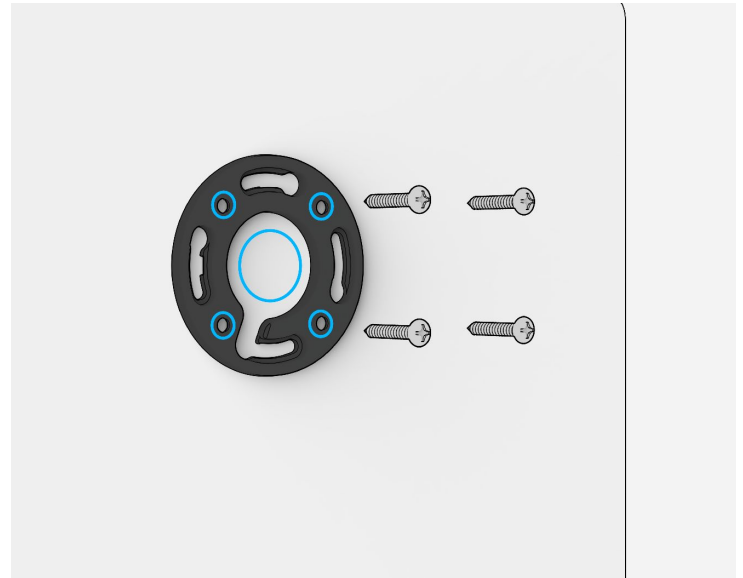
Installation

Mounting 2/2

For a solid material like wood or metal, drill 1/8 inch pilot holes. Drive mounting screws directly into the pilot holes.

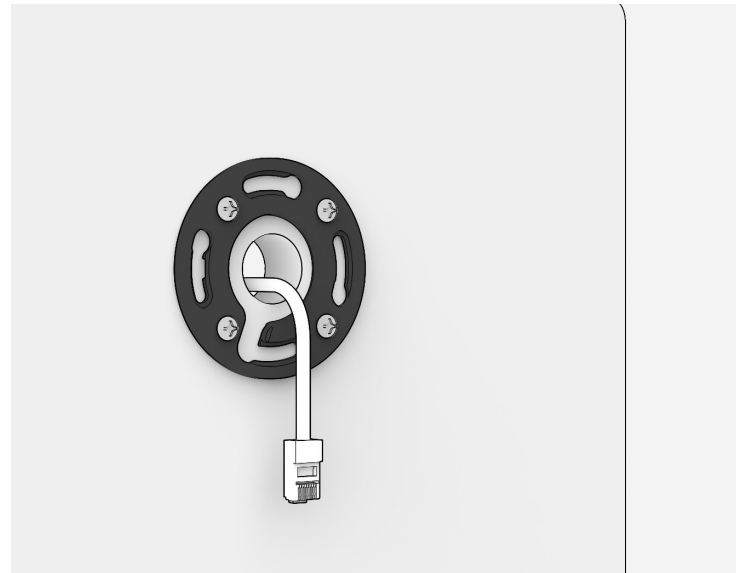
Drill a one-inch hole for Ethernet cable and dongle to pass through.

For drywall, plaster or masonry, separate wall anchors may be required.



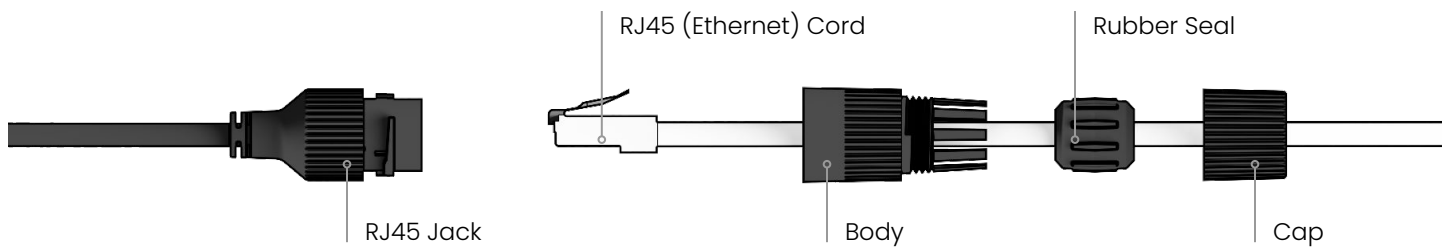
Feed Ethernet cable through the center of the Mount Plate before fully securing it to the mounting surface.

Leave enough slack to safely handle the camera during cable gland installation.

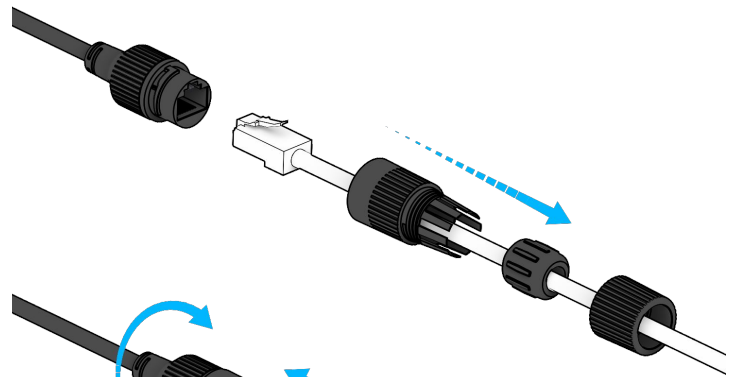


Installation

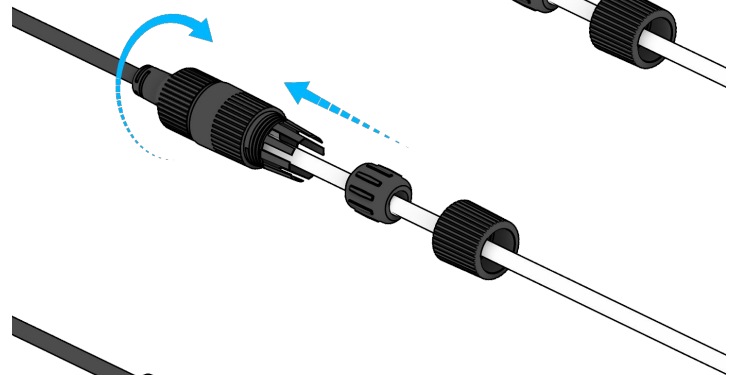
Cable Sealing Assembly



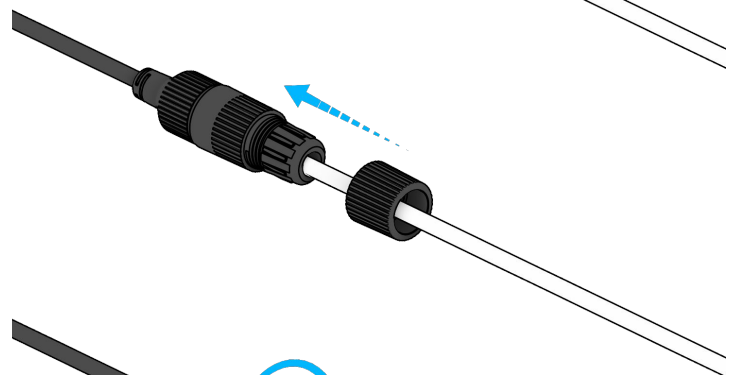
Thread cable-sealing components onto RJ45 cord.



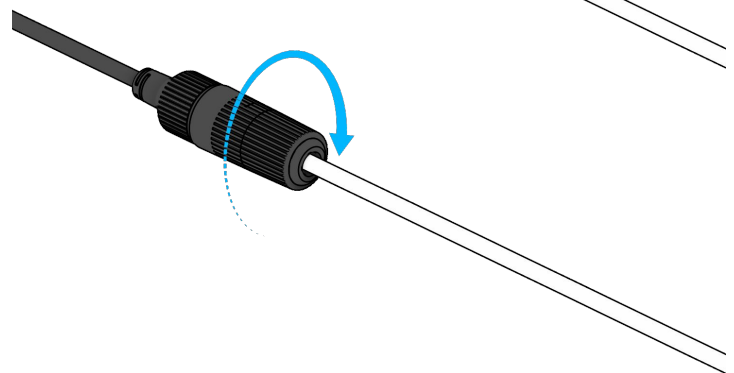
Insert RJ45 plug into the jack.
Twist to lock body onto the RJ45 Jack.



Insert rubber seal into the body.



Screw the cap onto the body.

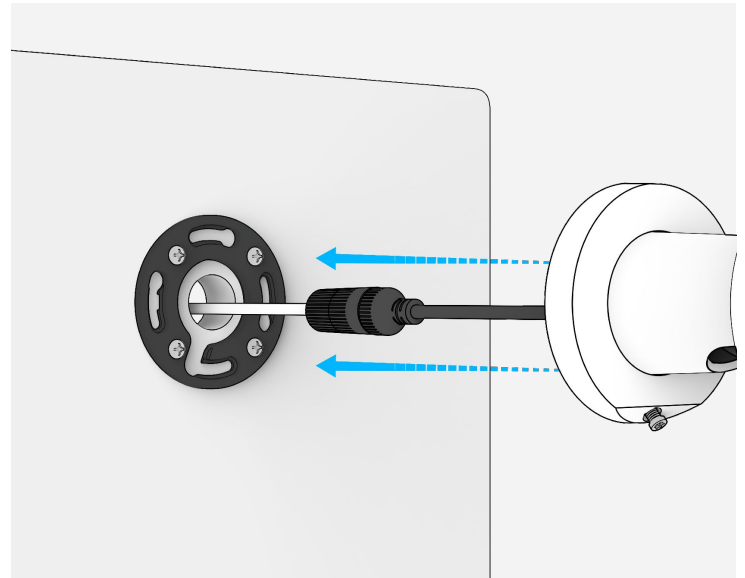


Installation

Secure

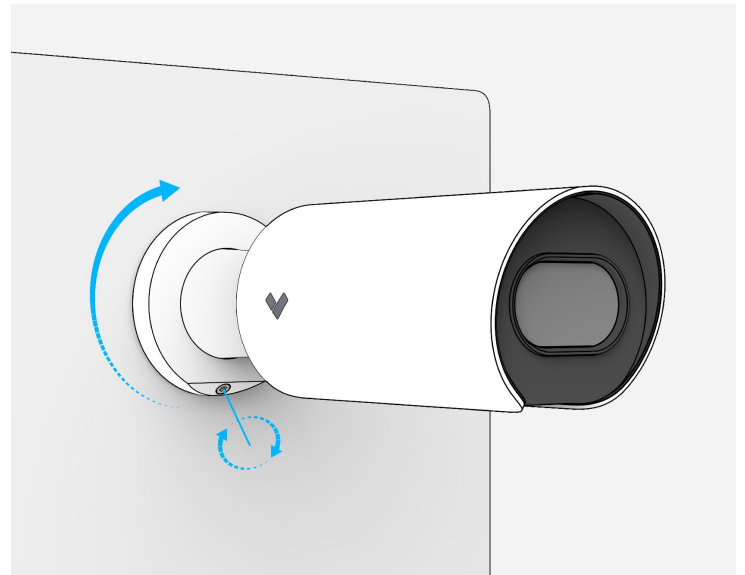
Align mounting features on the Mount Plate with the mounting pegs on the backside of CB52/CB62 Base Plate.

Feed cable assembly into wall.

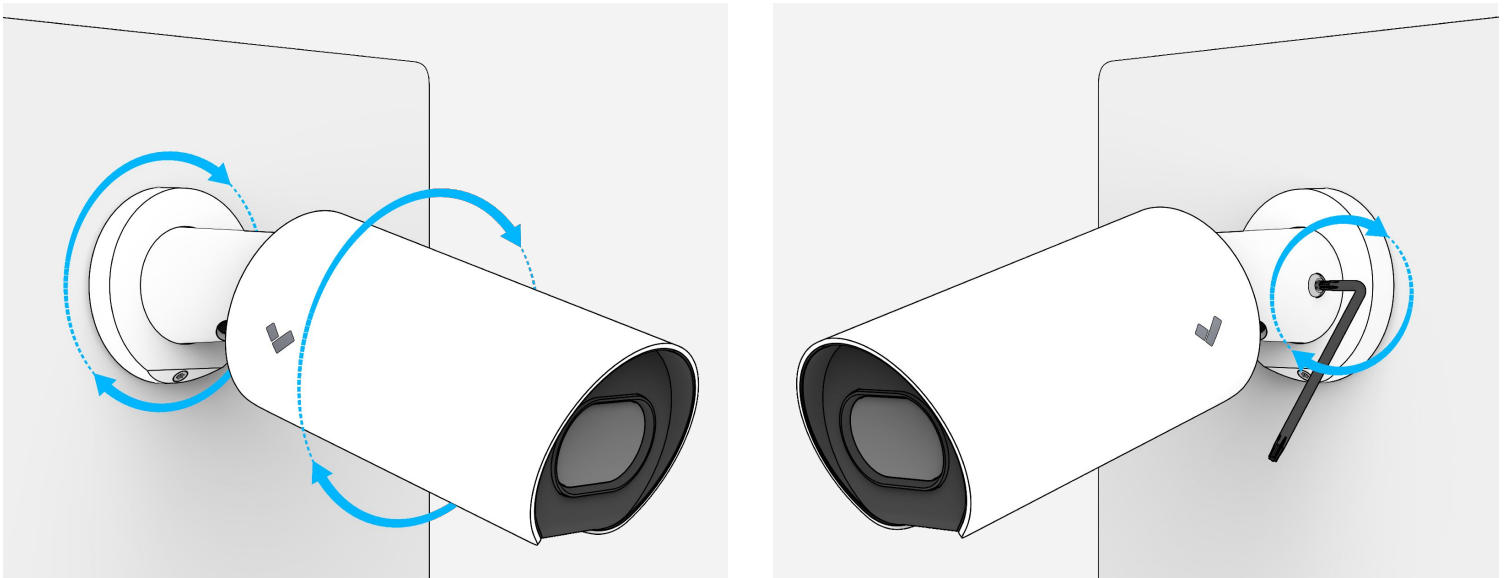


Engage the mounting pegs and twist clockwise until you feel the camera lock securely in place.

Once secured, tighten the T25 security screw using the provided hand tool.



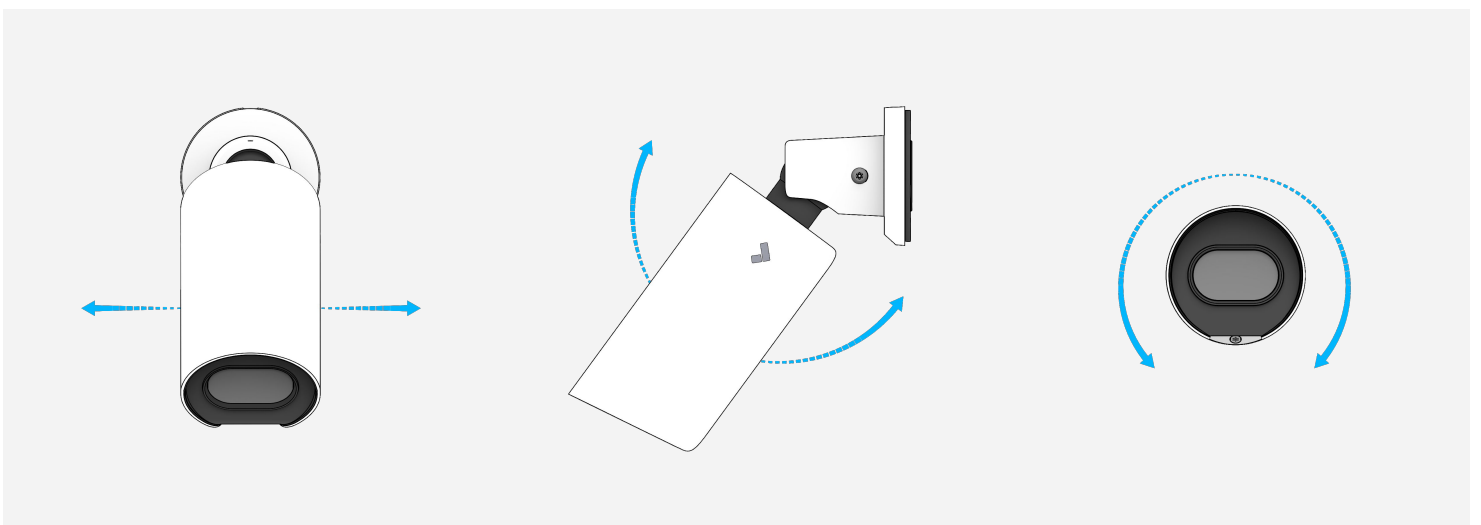
Adjust



Adjust your camera to the desired viewing angle. Use the online stream to confirm image orientation. Image can be flipped 180 degrees online in Command.

To lock the camera in place, use the T25 security Torx key to turn the screw on the side of stand. This will tighten the ball joint.

To fully secure the device, rotate the Torx handle 90 degrees and tighten the screw further.



Pan

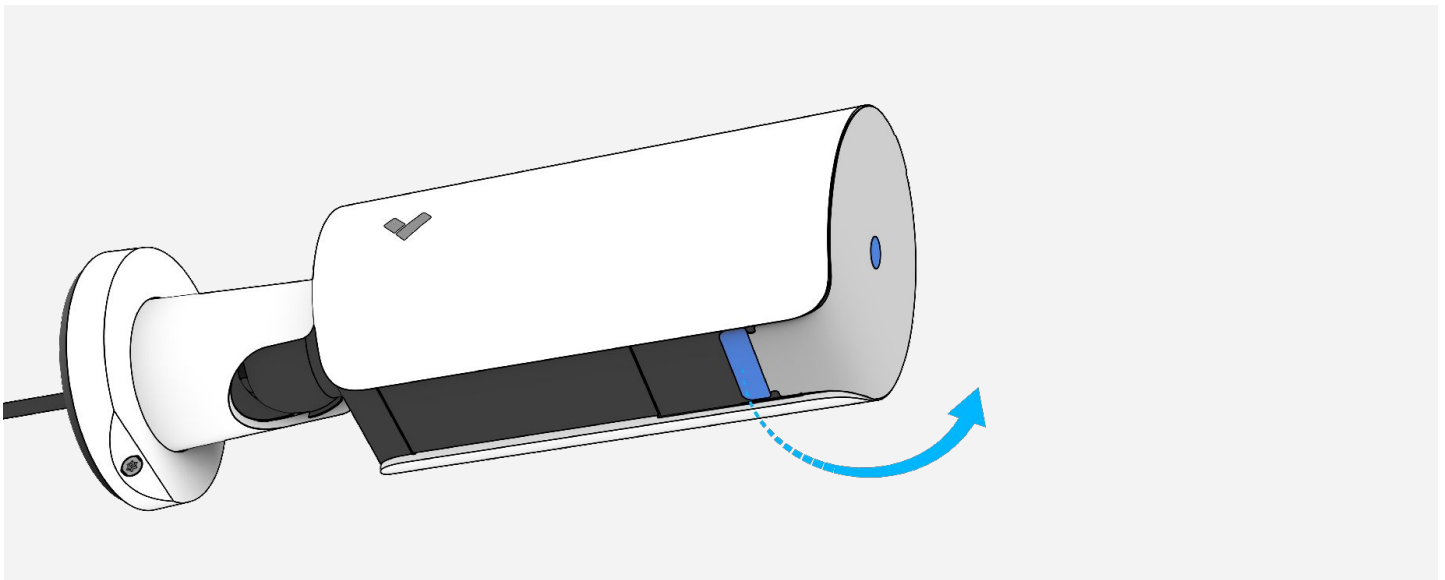
Tilt

Rotate



Installation

Remove protective film from lens



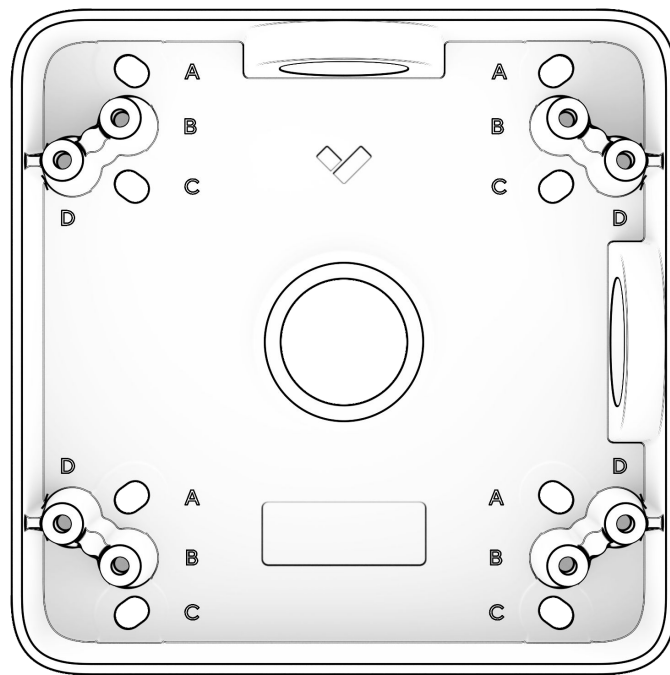
Peel back protective film from the front lens housing.
Begin peeling from the blue tab on the underside of the camera.



Mounting on Verkada ACC-MNT-11 (1/3)

Hole Patterns:

- A 4" square junction box (to mount surface)
- B 4" square junction box (to device)
- C 4" square junction box, alternative (to mount surface)
- D Double-gang junction box (to CB51/61 Junction Box Adapter)



Installation

Mounting on Verkada ACC-MNT-11 (2/3)

For a solid material like wood or metal, drill 1/8 inch pilot holes. Drive mounting screws directly into the pilot holes using hole pattern A of the junction box.

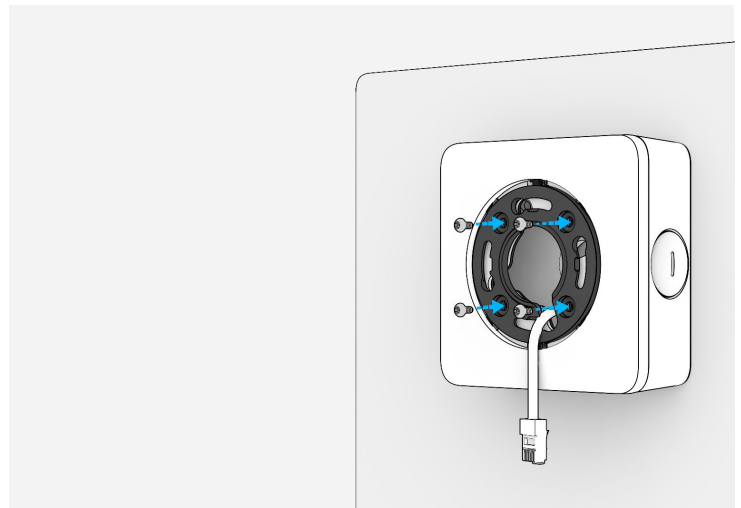
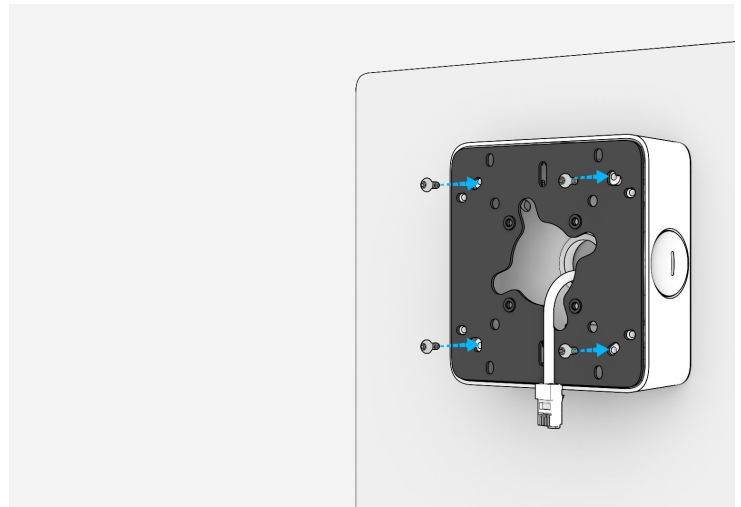
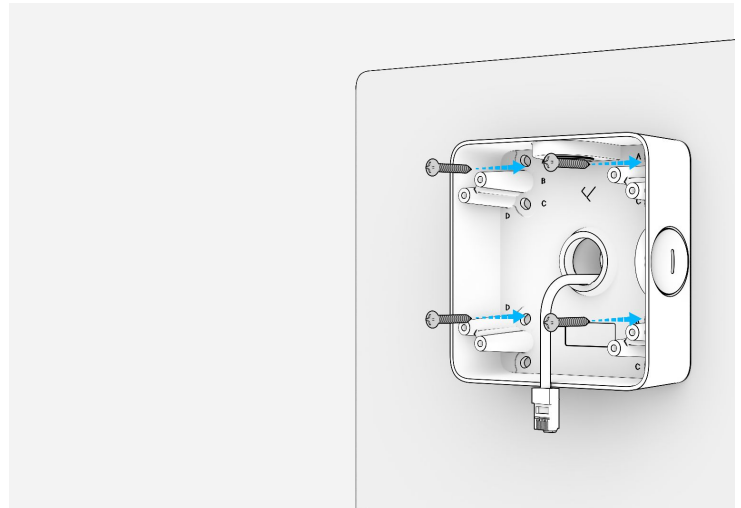
Feed Ethernet cable through the center of the junction box before fully securing it to the mounting surface.

Leave enough slack to safely handle the camera during cable gland installation.

For drywall, plaster or masonry, separate wall anchors may be required.

Align mounting features on the Junction Box Adapter with the mounting pegs on the inside of the junction box utilizing hole pattern B. Insert 4 M4x8, Phillips pan head machine screws.

Attach the junction box cover and camera mount plate to the junction box cover adapter with 4 M4x8, Phillips Pan head machine screws.

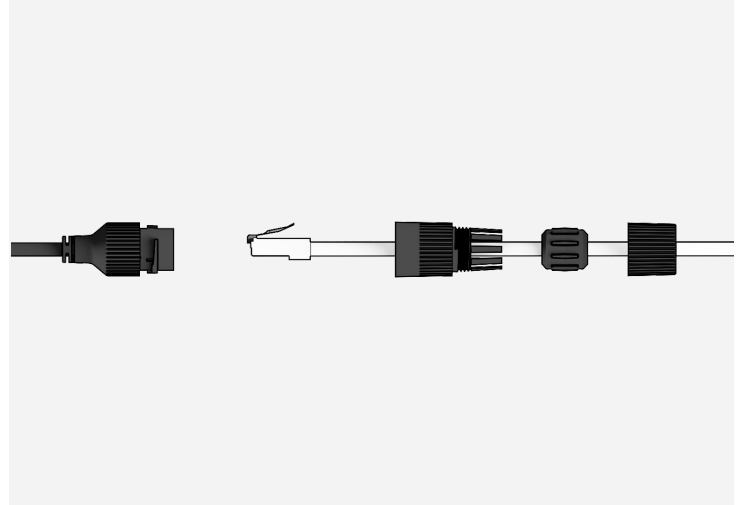


Installation

Mounting on Verkada ACC-MNT-11 (3/3)

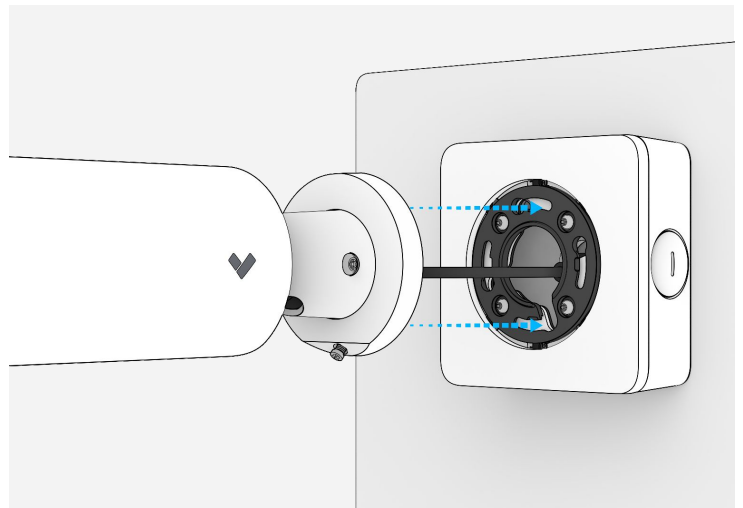
Assemble cable sealing assembly.

Please note: See *Cable Sealing Assembly* section for step-by-step instructions.

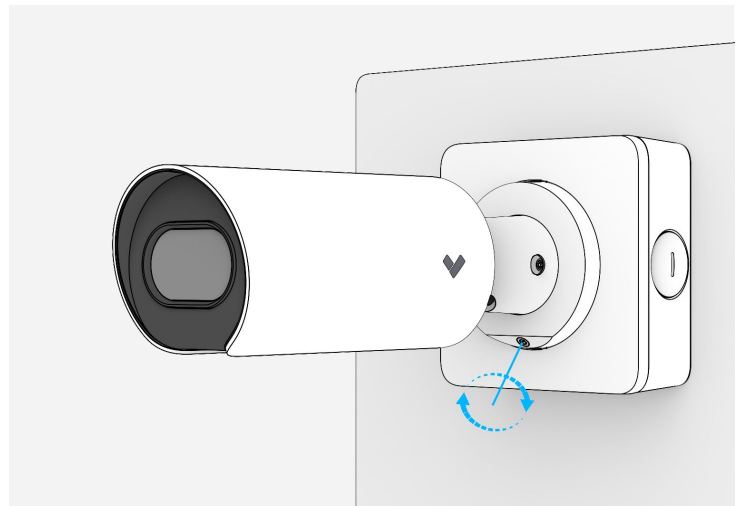


Feed cable assembly into junction box.

Engage the mounting pegs and twist clockwise until you feel the camera lock securely in place.



Once secured, tighten the T25 security screw using the provided hand tool.



CB52 CB62 Compliance

Caution	<ol style="list-style-type: none">1. Maintenance and repair work must always be carried out by qualified technical personnel. Disconnect power from the unit when performing a maintenance task.2. Wiring methods used for the connection of the equipment to earth shall be in accordance with the National Electrical Code, ANSI/NFPA 70, and the Canadian Electrical Code, Part 1, CSA C22.1.3. The product must be installed and protected in a location that is not easily accessible and is away from impacts or heavy vibration.4. The device is only to be connected to PoE networks without routing to outside plants.5. If powered by a power adapter, the adapter should be properly grounded.6. Please contact certified dealers for power adapters.
PoE Adapter	To reduce potential safety issues, only use the PoE adapter provided with the product, a replacement PoE adapter provided by Verkada, or a PoE adapter purchased as an accessory from Verkada.



Appendix

Support

Thank you for purchasing this Verkada product. If for any reason you're experiencing issues or need assistance, please contact our 24/7 Technical Support Team immediately.

Sincerely,
The Verkada Team
verkada.com/support

